



GeBE-COMPACT Plus (Presenter)

GPT-467x(-P)

TECHNICAL INFORMATION



Highlights at first sight:

- built-in thermal printer in robust stainless steel housing, also with presenter
- retract function for paper-saving printing and data-sensitive printouts
- cutter for full and half cut
- suitable for protocol, receipt and ticket printing with text, graphics and bar codes
- for paper width 51 – 86 mm, paper thickness 70 – 190 µm and paper roll diameter up to 300 mm
- high quality print of 203/300 dpi with speed up to 250 mm/s
- suitable for solar operation, power supply 10.8 – 26.5 VDC

The GeBE-COMPACT Plus (Presenter)

The built-in thermal printer GeBE-COMPACT Plus (Presenter) GPT-4672(-P) / GPT-4673(-P) is mounted in a stainless steel housing and is tailored for front panel or paper catch solutions. The power supply of 10.8 – 26.5 VDC also allows the solar operation.

The paper retract function back to the paper beginning directly after the cut allows paper-saving prints. The GeBE-COMPACT Plus with presenter unit can even completely confiscate a not removed printout (for example bank statements) after a programmed time. In addition, the fast printout "presenting" of the presenter unit prevents damage to printer mechanism and cutter, caused by impatient pulling when removing a ticket.

Blackmarks exactly control the printing process (e.g. text in preprinted tickets). The wide range of available layout commands and several character sizes allow an attractive ticket design.

Using the right paper, the printer can be operated in a temperature range of -20°C to +70°C (-4°F to +158°F), also for outdoor application.

Typical application

- Protocol printing, e.g. in machines
- Ticket printing in kiosk systems, e.g. for pawn
- Ticket printing in vending machines, e.g. train ticket

Drivers

The printer controllers GCT-469x (A8) and GCT-4663/GCT-46620 (C32) will be supported by following drivers:

Windows® CE 5.0, 6.0, 7.0 and Windows® 7, 8, 8.1, 10

Cups für Linux Ubuntu 16.04 LTS (others on request)

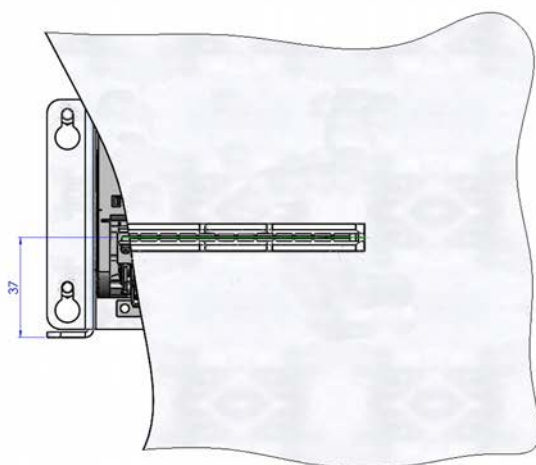
Accessory

Article number	Article description	GPT-4672	GPT-4672-P	GPT-4673	GPT-4673-P
Cable					
12872	Data round cable USB 2.0 FS, 5 pin, Molex to USB A, length 2,000 mm (78.74 inch)	x	x	x	x
11352	Data round cable RS232, 5 pin, JST SHR to Sub-D, length 1,000 mm (39.37 inch)	x	x	x	x
11387	Data cable RS232, 5 pin, JST SHR - one side open, length 500 mm (19.69 inch)	x	x	x	x
10258	Power supply cable for 10 – 36 VDC, 2 single wires, 1.0 qmm, with end sleeve, one side open, length 500 mm (19.69 inch)	x	x	x	x
Power supply					
13694	Power supply 24V/ 6.5A with Schuko plug and power supply cable	x	x	x	x
Spare parts					
13680	Paper roll holder with adjustable entry angle, paper rolls ø 50 – 180 mm (1.97 – 7.09 inch)	x	x		
13084	Paper roll holder for paper rolls ø 50 – 110 mm (1.97 – 4.33 inch)	x	x		
13306	Bezel with mounting plate for GeBE-COMPACT Plus without presenter	x			
13970	Bezel with mounting plate for GeBE-COMPACT Plus with presenter		x		
13929	Mounting bracket (for A8 only)	x			
13681	Paper roll holder with adjustable entry angle, paper rolls ø 50 – 180 mm (1.97 – 7.09 inch)			x	x
13085	Paper roll holder for paper rolls ø 50 – 110 mm (1.97 – 4.33 inch)			x	x
13308	Bezel with mounting plate or GeBE-COMPACT Plus without presenter			x	
13925	Mounting bracket			x	
13642	Mounting plate onto paper catch GPS-085			x	
11342	Paper catch for paper width up to 85 mm (3.35 inch), receipt length 70 mm (2.76 inch)	x		x	
11957	Paper catch for paper width up to 85 mm (3.35 inch), receipt length 130 mm (5.12 inch)	x		x	
13380	NPE sensor for GeBE-COMPACT Plus with paper roll holder art.no. 13084/13085 and controller GCT-4692/GCT-4693	x	x	x	x
13378	NPE sensor for GeBE-COMPACT Plus with paper roll holder art.no. 13680/13681 and controller GCT-4692/GCT-4693	x	x	x	x
14023	NPE sensor for GeBE-COMPACT Plus with paper roll holder art.no. 13681 and controller GCT-4691 resp. with paper roll holder art.no. 13680 and controller GCT-46620	x	x		x

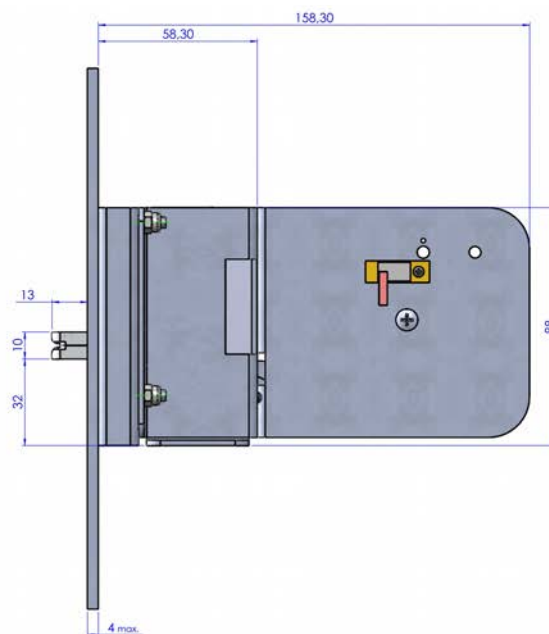
Article number	Article description	GPT-4672	GPT-4672-P	GPT-4673	GPT-4673-P
Paper					
12993	7 years paper • roll ø 70 mm (2.76 inch) • core inside ø 25 mm (0.98 inch) • width: 59.5 ±0.5 mm (2.34 ±0.02 inch) • paper thickness: approx. 80 µm (3.15 mil) • outside coated • running length: 40 m (43.75 yd)	x	x		
13001	7 years paper • roll ø 150 mm (5.91 inch) • core inside ø 25 mm (0.98 inch) • width: 59.5 ±0.5 mm (2.34 ±0.02 inch) • paper thickness: approx. 80 µm (3.15 mil) • outside coated • running length: 210 m (229.66 yd)	x	x		
12785	7 years paper • roll ø 70 mm (2.76 inch) • core inside ø 25 mm (0.98 inch) • width: 82.0 ±0.5 mm (3.23 ±0.02 inch) • paper thickness: approx. 80 µm (3.15 mil) • outside coated • running length: 40 m (43.75 yd)			x	x
13671	7 years paper • roll ø 150 mm (5.91 inch) • core inside ø 25 mm (0.98 inch) • width: 82.0 ±0.5 mm (3.23 ±0.02 inch) • paper thickness: approx. 80 µm (3.15 mil) • outside coated • running length: 210 m (229.66 yd)			x	x

Technical drawings

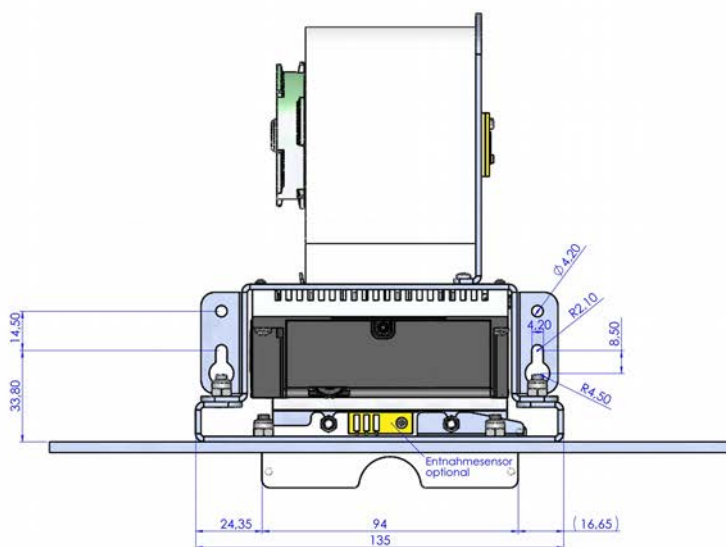
INFO: The power supply connection depends on the controller version and can be a 2 or 3-pole connector.



Front and section view with bezel and mounting plate

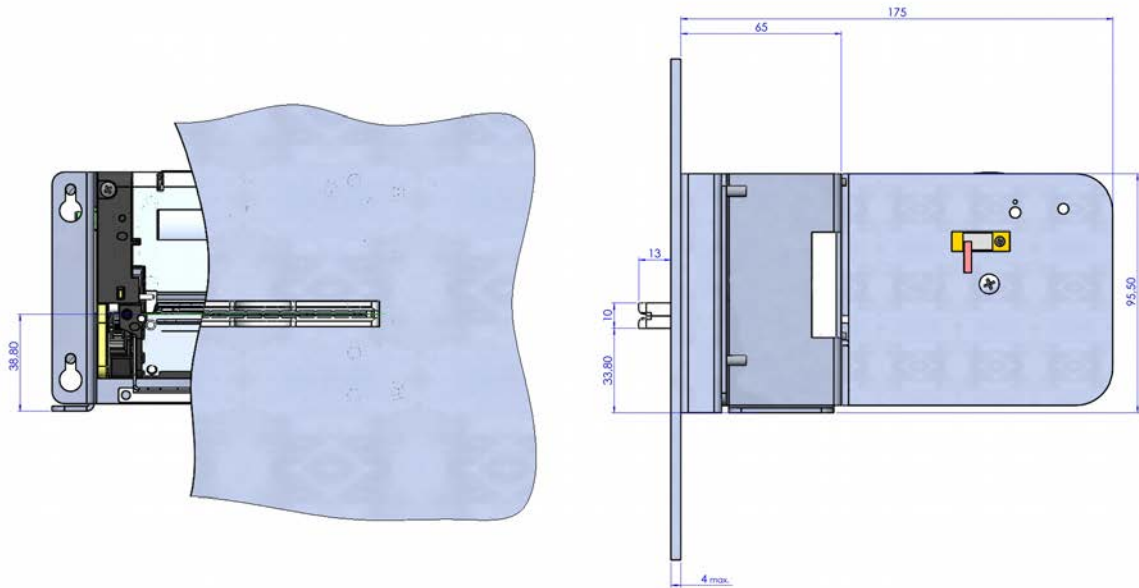


Side view with bezel, mounting plate and paper roll holder



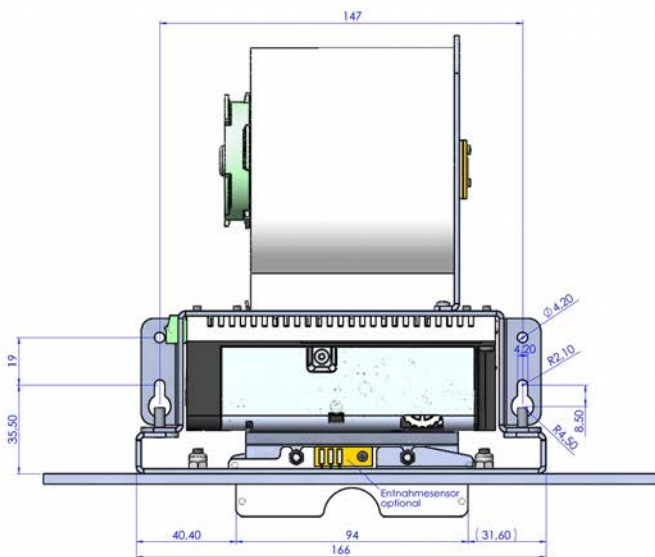
Top view with bezel, mounting plate and paper roll holder

Figure 1: Dimensions GeBE-COMPACT Plus GPT-4672 with paper roll holder (for 60 mm paper width) in mm



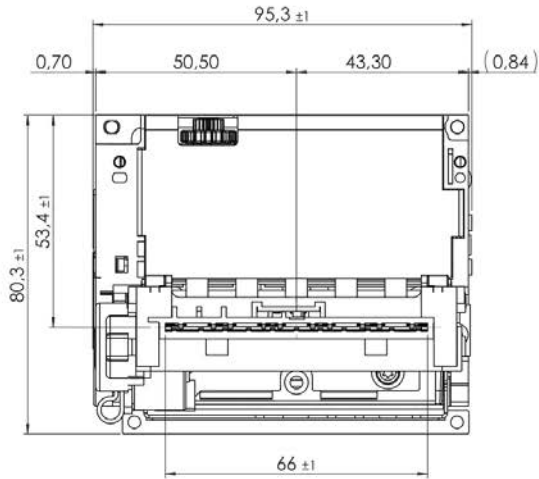
Front and section view with bezel and mounting plate

Side view with bezel, mounting plate and paper roll holder

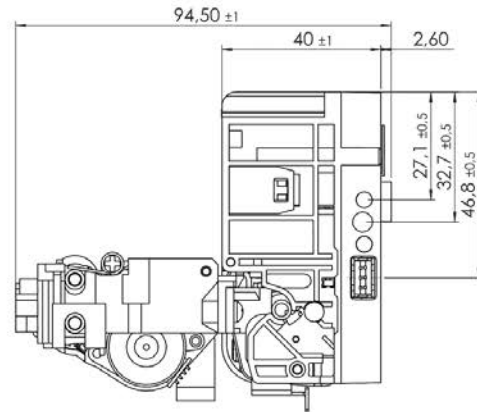


Top view with bezel, mounting plate and paper roll holder

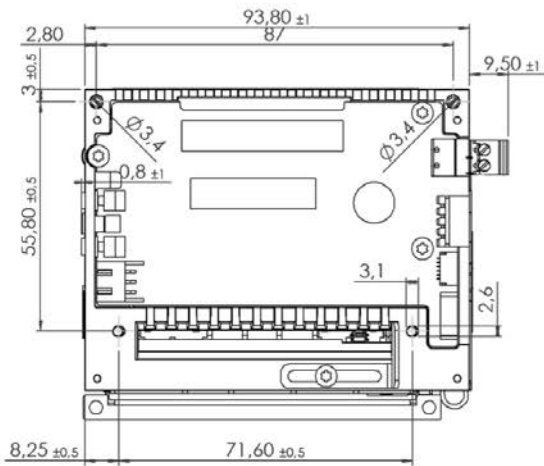
Figure 2: Dimensions GeBE-COMPACT Plus GPT-4673 with paper roll holder (for 82.5 mm paper width) in mm



Front view



Side view



Back view

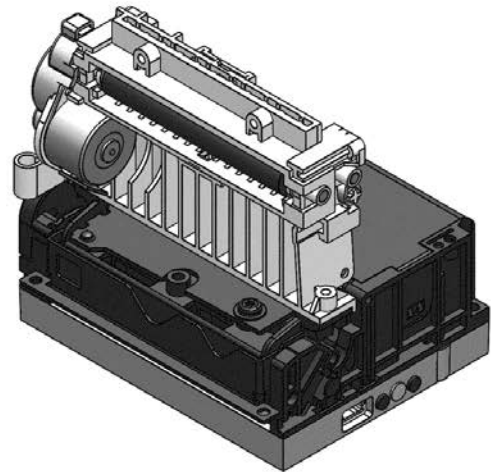


Figure 3: Dimensions GeBE-COMPACT Plus GPT-4672 (for 60 mm paper width) with presenter in mm

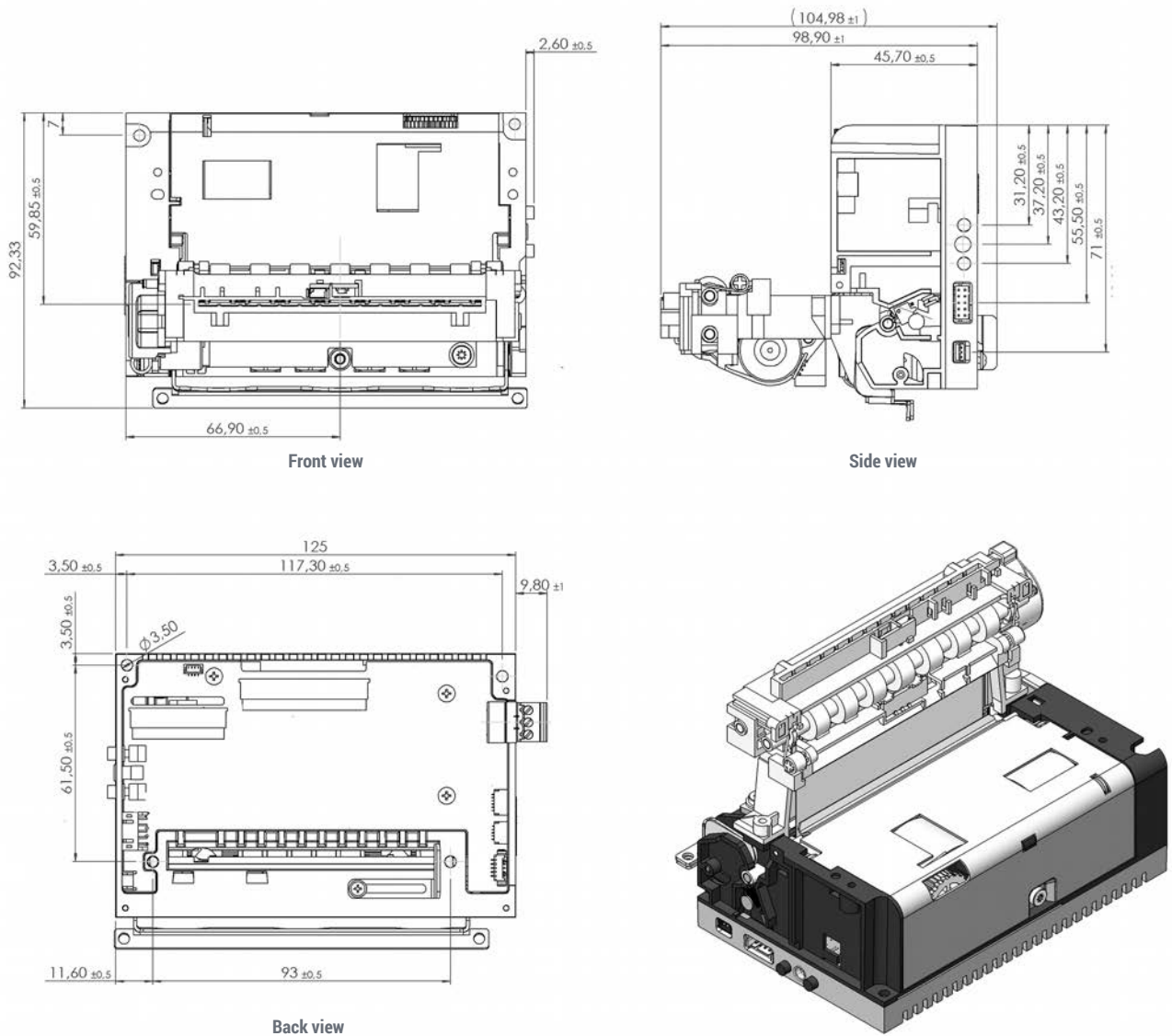


Figure 4: Dimensions GeBE-COMPACT Plus GPT-4673 (for 82.5 mm paper width) with presenter in mm

Technical data details

	GPT-4672	GPT-4672-P (A8 only)	GPT-4673	GPT-4673-P (A8 only)
Insert paper	auto paper loading			
Print procedure	thermal direct print			
Resolution	8 dots/mm (203 dpi), 448 dots/line (12 dots/mm (300 dpi), 672 dots/line on request)		8 dots/mm (203 dpi), 640 dots/line (12 dots/mm (300 dpi), 960 dots/line on request)	
Print speed	max. 200 mm/s (7.87 inch/s), depending on printer mechanism and settings			
Paper width	51 – 60 mm (2.01 – 2.36 inch)	58 – 60 mm (2.28 – 2.36 inch)	63 – 82.5 mm (2.48 – 3.25 inch) on request: 63 – 86 mm (2.48 – 3.39 inch)	80 – 82 mm (3.15 – 3.23 inch)
Print width	56 mm (2.20 inch)		80 mm (3.15 inch)	
Paper thickness	70 – 190 µm (2.76 – 7.48 mil)	70 – 100 µm (2.76 – 3.94 mil)	70 – 190 µm (2.76 – 7.48 mil)	70 – 100 µm (2.76 – 3.94 mil)
Paper length	40 / 210 m (43.74 / 229.66 yd)			
Paper roll diameter	150 mm (5.91 inch), incl. paper roll holder / on request: up to 300 mm (11.81 inch)			
Supply voltage	10.8 – 26.5 VDC			
Current consumption print	adjustable via command: 3.0 – 12.0 A (peak)			
Current consumption without print	approx. 80 mA (depending on interface)			
Available interfaces	USB 2.0 FS, RS232			
Fonts	A8 IBMII 28, 56 characters/line, upgradeable		IBMII 36, 72 characters/line, upgradeable	
	C32 23 fonts, extendable, UTF-able	-/-	23 fonts, extendable, UTF-able	-/-
Barcode	A8 Code39, 2of5int, EAN13, optional on request: EAN8, Code128c, PDF 417			
	C32 EAN8, EAN13, UPCA, Code39, 2of5int, Code128, QR Code	-/-	EAN8, EAN13, UPCA, Code39, 2of5int, Code128, QR Code	-/-
MTBF*)	100 km (62.14 mile) / 2 Mio. cuts			
Dimensions	100 x 85 x 43 mm (3.94 x 3.35 x 1.69 inch)	94 x 81 x 95 mm (3.70 x 3.19 x 3.74 inch)	113 x 93 x 50 mm (4.45 x 3.66 x 1.97 inch)	128 x 93 x 100 mm (5.04 x 3.66 x 3.94 inch)
Weight with mounting bracket	approx. 550 g	approx. 547 g	approx. 837 g	approx. 1,061 g
Housing	stainless steel			
Environment**)	-20°C – +70°C (-4°F – +158°F) with specified paper			
Humidity	10 – 90 % rel. humidity, without condensation			
Storage condition	-20°C – +70°C (-4°F – +158°F) at 10 – 90 % rel. humidity, without condensation			

*) Life cycle according to mechanism testing conditions of the manufacturer with specified paper only. Please inquire. The life cycle of the print head is an averaged expectable performance and no guaranteed data. Under optimum conditions, the above listed data can be achieved using specified paper according to our documentation TI-DE-0606.

**) In case the print head reaches the maximum ambient temperature, the printer will interrupt operation until cooling down and sends an error message.

The GeBE logo is a registered trademark of GeBE Elektronik und Feinwerktechnik GmbH. All other brands named in this brochure are properties of the respective companies. The technical data given are non-committal information and do not represent any assurance of certain features. Errors and changes reserved. This technical documentation is only valid until release of a revision. Please always request the newest documentation edition.

Our terms of payment and delivery apply.

Copyright © 2019 GeBE Elektronik und Feinwerktechnik GmbH. All rights reserved.